

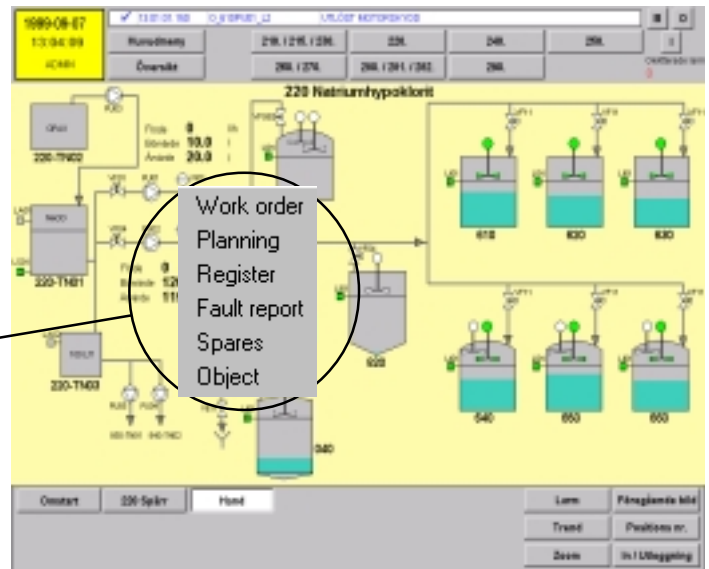
DUSiFIX

DUSiFIX is an application for integration of the Intellution Dynamics iFIX SCADA system and DUSiII information and maintenance system.

Direct access to maintenance functions in process pictures

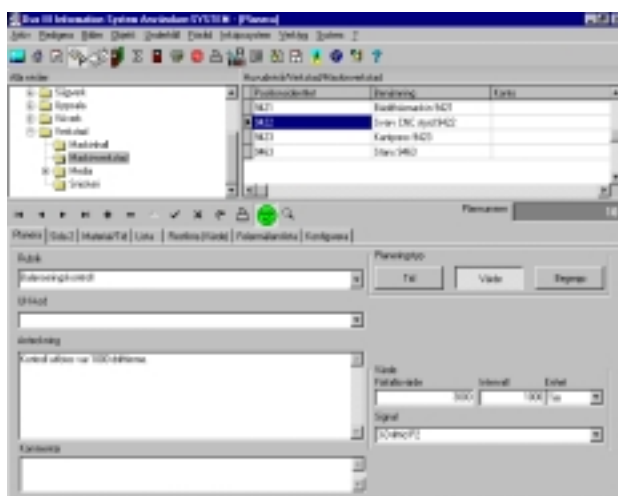
The DUSiFIX allows for the use of iFIX pictures to directly access maintenance functions in DUSiII. The same pictures can be used for supervision, maintenance and planning. By pointing and clicking in the iFIX pictures the selected object in DUSiII can be found.

The image on the right shows the menu attained by pressing right mouse button on an object in an iFix picture. You can then choose e.g. planning for this object. Choosing this turns the user over to the planning module of DUS with correct object selected. Linking from iFIX Workspace to DUS objects is easily done with a Wizard.



Condition-based maintenance

Condition-based maintenance includes e.g. that you can plan your preventive maintenance based on current values. By measuring the runtime on for example a motor and comparing it with recommended runtimes you can optimise your preventive maintenance.



With DUSiFIX real runtimes can be sent from iFIX to DUS where work orders can be created automatically.

- Maintenance at the right time.
- Object information directly in iFIX
- Maintenance function directly in iFIX
- Common Interface
- Optimised maintenance

DUSiFIX



- Fully integrated process automation with surveillance, control, logging of data, report.
- iFix includes all properties and tools needed for a **complete** solution. Fully compatible from a small iFIX HMI operator station to a big network based SCADA control system.



- MAINTENANCE
- INFORMATION
- DOCUMENTATION
- BUDGET CONTROL

- DUS III is an information system addressing all possible aspects of maintenance and documentation of technical installations in any plant within any line of business.
- People with great experience of practical maintenance has developed the system and it can be used in small as well as in very large plants with unlimited number of users.
- DUS offers point-and-click operations based on images and icons, which make it very easy and flexible to use.

Software requirements: DUSiFIX supports DUS III from version 3.55 and iFIX from version 2.1 with SIMPACK1. To run iFIX you need NT4 Sp4. If existing iFIX system uses right-click pop-up menus these have to be adapted manually.



www.idus.se
Varvsgatan 10
871 45 Härnösand
Tel 0611-275 30
Fax 0611-27920

NOVOTEK 

www.novotek.se
Malmö tel 040 - 6718900
Stockholm tel 08 - 58165250
Göteborg tel 031 - 3360993
Västerås tel 021-184460
Sundsvall tel 060 - 176700